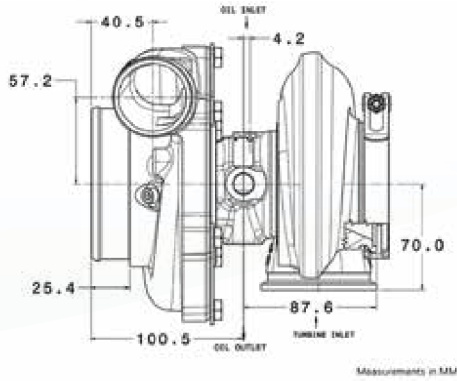


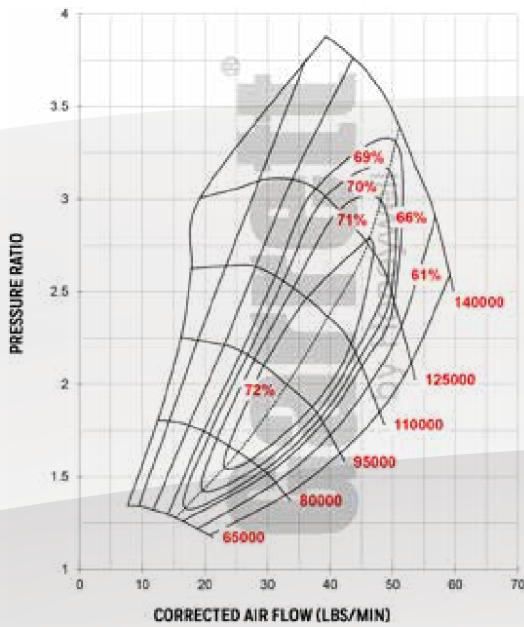
# GTX3071R GEN II NEW PRODUCT

**Honeywell**

Horsepower: 340 - 650  
Displacement: 1.8L - 3.0L



## COMPRESSOR MAP

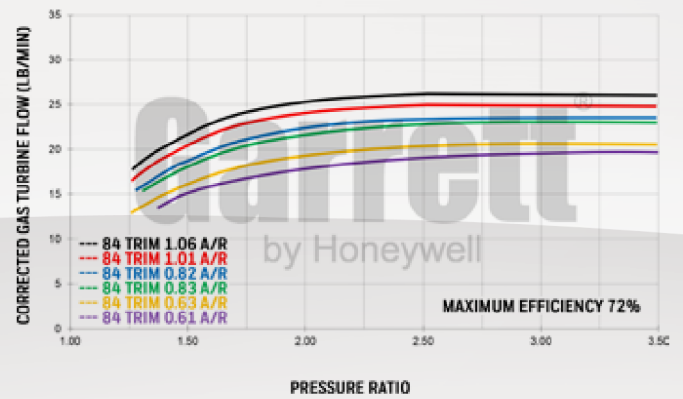


## FEATURES:

- ◆ GEN 2 AERODYNAMICS FEATURE INCREASED HORSEPOWER RANGE
- ◆ NEW FULLY MACHINED SPEED SENSOR PORT. DETAILS ON PG. 56
- ◆ WASTEGATE ACTUATORS & BRACKET KIT AVAILABLE ON PG. 56
- ◆ SOLD AS ASSEMBLY KITS (SUPER CORE + TURBINE HSG)
- ◆ NEW REVERSE ROTATION CONFIGURATIONS AVAILABLE

\*WASTEGATED TURBINE BOLTS & CLAMPS SEE PG. 60

## EXHAUST FLOW CHART



		Compressor				Turbine		
Super Core Reference Data		Inducer	Exducer	Trim	A/R	Inducer	Exducer	Trim
GTX3071R Standard Rotation		54mm	71mm	58	0.60	60mm	55mm	84
GTX3071R Reverse Rotation		54mm	71mm	58	0.60	60mm	55mm	84
Notes:	Assembly Kit PN	Super Core PN	Turbine Kit PN	A/R	Inlet	Outlet	Wastegate	Divided
Assembly Kit PN Includes Super Core and Turbine Kit	856801-5006S	851154-5002S	740902-0009	0.63	T3	V-Band	Free Float	N
	856801-5005S	851154-5002S	740902-0008	0.82	T3	V-Band	Free Float	N
	856801-5004S	851154-5002S	740902-0007	1.06	T3	V-Band	Free Float	N
	856801-5018S	851154-5002S	740902-0036	0.61	V-Band	V-Band	Free Float	N
	856801-5017S	851154-5002S	740902-0035	0.83	V-Band	V-Band	Free Float	N
Wastegated Turbine Assembly PN does not include bolts, clamps, or actuator	856801-5016S	851154-5002S	740902-0034	1.01	V-Band	V-Band	Free Float	N
	856801-5021S	851154-5002S	771300-0006	0.63	T3	5 bolt	Wastegated	N
	856801-5020S	851154-5002S	771300-0005	0.82	T3	5 bolt	Wastegated	N
Reverse Rotation Configuration	856801-5019S	851154-5002S	771300-0004	1.06	T3	5 bolt	Wastegated	N
	Assembly Kit PN	Super Core PN	Turbine Asbly PN	A/R	Inlet	Outlet	Wastegate	Divided
	856802-5001S	844621-5003S	740902-0053	0.61	V-Band	V-Band	Free Float	N
856802-5002S	844621-5003S	740902-0054	0.83	V-Band	V-Band	Free Float	N	
856802-5003S	844621-5003S	740902-0055	1.01	V-Band	V-Band	Free Float	N	

**Garrett**  
by Honeywell